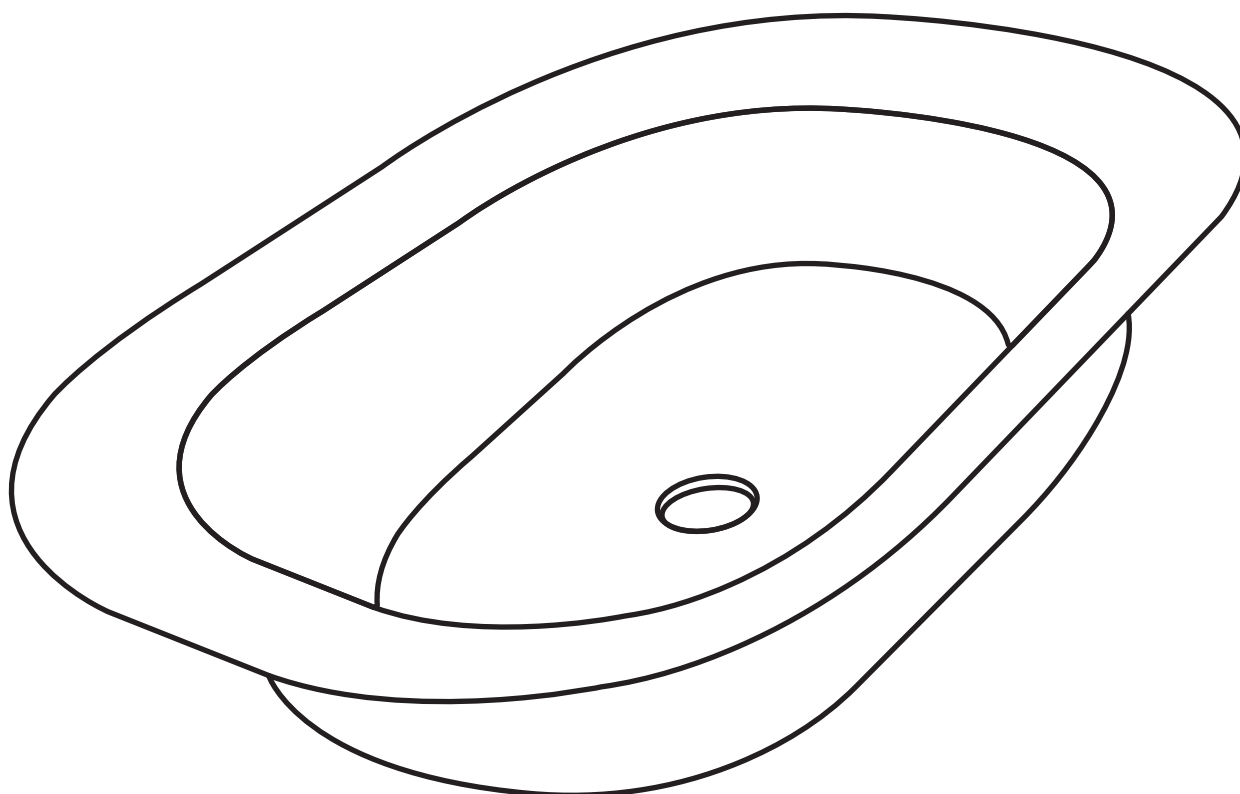


ASSEMBLY INSTRUCTIONS

ITEM# MV2216TE



VITREOUS CHINA SINK

! READ ALL INSTRUCTIONS BEFORE UNPACKING THE PRODUCT

INSTRUCTIONS THAT, IF IGNORED COULD RESULT IN DEATH OR SERIOUS INJURY CAUSED BY INCORRECT HANDLING OR INSTALLATION OF THE PRODUCT. THESE INSTRUCTIONS MUST BE OBSERVED FOR SAFE INSTALLATION.

CAUTION!



**TWO PERSON
LIFT REQUIRED**

**2 PEOPLE ARE REQUIRED TO LIFT AND DURING
ENTIRE INSTALLATION OF THIS PRODUCT**



**INSTALLATION OF THIS PRODUCTS BY AN
INEXPERIENCED INSTALLER MAY RESULT
PERSONAL INJURY OR DEATH!**



We reserves the right to change, update, modify, alter, redesign this manual/product or its policies without prior notice!
It is your responsibility to visit website to download or contact customer service for the most updated version of the installation instructions.

We shall not be liable for any injuries or property damages in connection with this product during installation or use of this product!

Limited warranty is void on any commercial installation.

We are not responsible for local code compliance for this product. Building and plumbing codes may vary from state-to-state in accordance to your location. We are not responsible for providing any compliance certifications.

We are not responsible to provide any type of certifications for this product.

Under no circumstances we are shall not be liable for any and all incidental damages sustained in connection with this product Neither manufacture, nor distributor, nor retailer is responsible for water damage or flood caused due to use of this product.

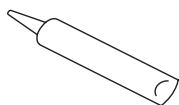
Under no circumstances We shall not be liable for any and all fees, cost of installation/reinstallation/removal, subsequent damage or transportation in case of the product defect.

During unpacking the product and prior to installation inspect your new product for any damages or missing parts. Do not attempt to install or operate the product if the product is damaged.

TOOLS REQUIRED FOR INSTALLATION



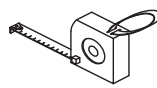
Soft Cloth
or Blanket



Silicone



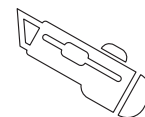
Jig Saw



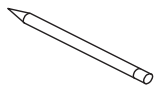
Tape
Measure



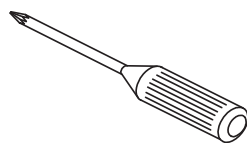
Safety Glass



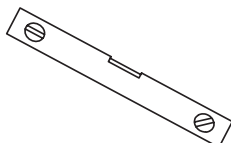
Knife



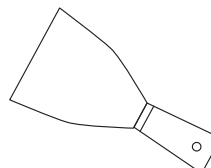
Pencil/Marker



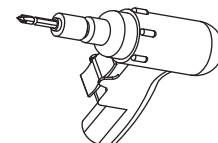
Philips
Screwdriver



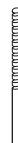
Level



Putty Knife



Drill



Drill Bit

MOUNTING A 'FINE FIXTURES' VESSEL SINK

1. Before you begin, Make sure you have the correct vessel sink drain. If the sink you bought has an overflow, then you will need to make sure you get a vessel sink drain with an overflow (**PU11** - Fine Fixtures Pop-up Drain with Overflow). A sink without an overflow will require a vessel sink drain without an overflow (**PU22** - Fine Fixtures Pop-up Drain with Overflow).

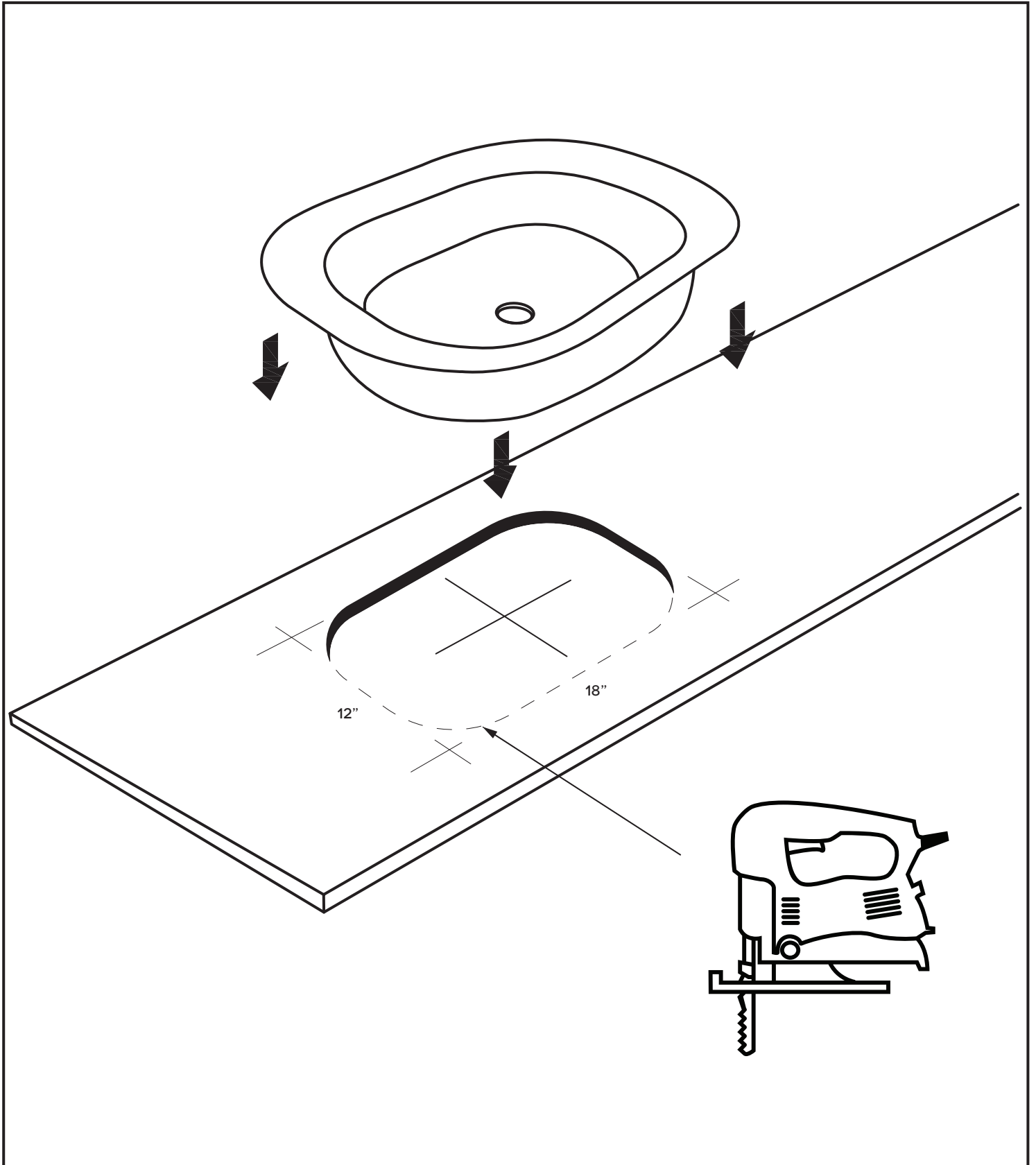
2. Position the sink. Mount the vessel directly onto the countertop. Align it with the drain opening on the countertop. Having a helper to hold the vessel sink is a good idea, if you don't have a second set of hands, you should hold the vessel with one hand while you anchor the drain.

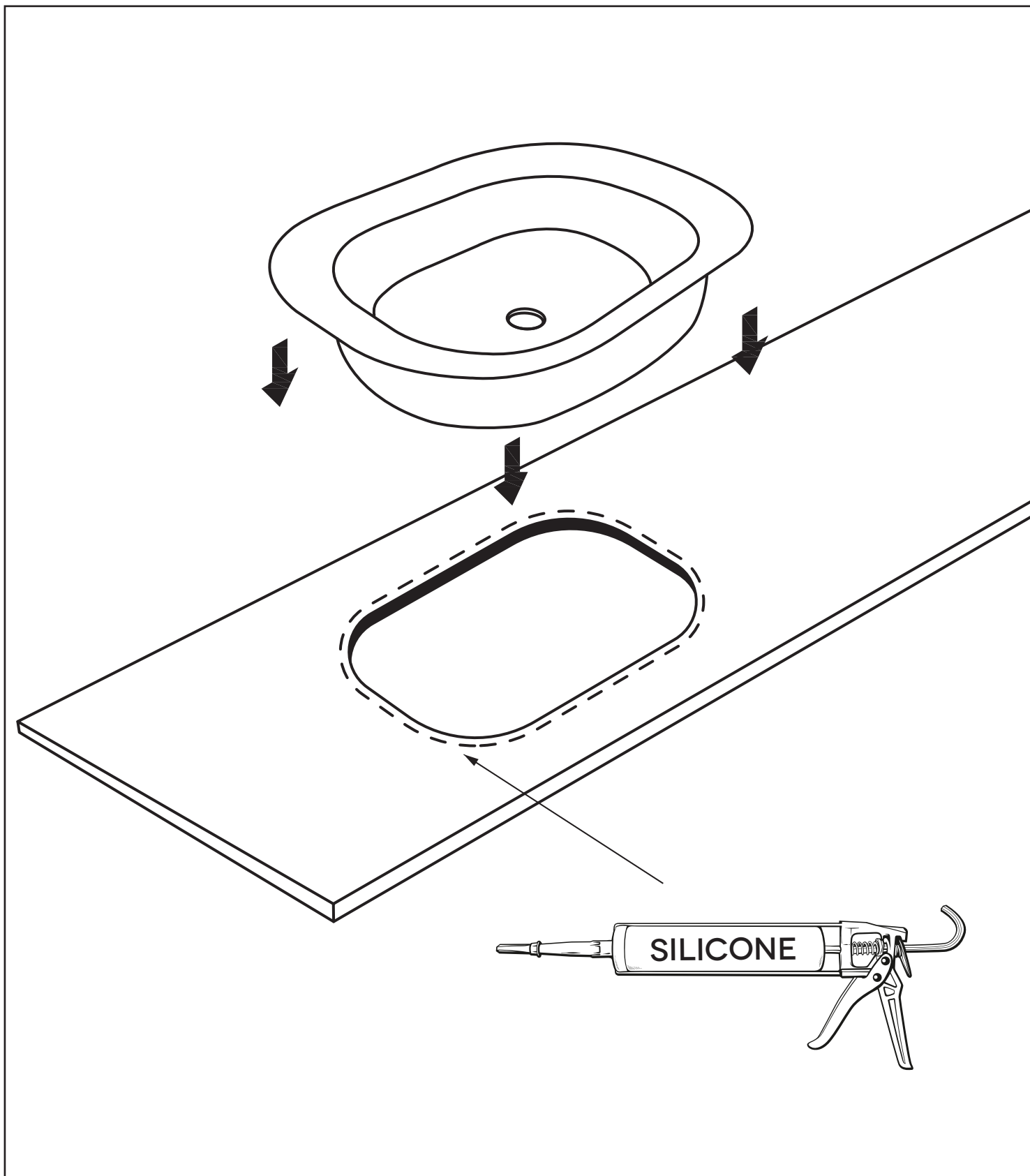
3. Connect the drain: Apply Plumber's putty to the part of the drain that goes into the sink or if the drain comes with a foam or rubber gasket for the top that will work as well. Drop the top part of the drain into the sink making sure to center it and check that if there is any lettering, it is straight. Under the sink use pipe joint compound or some other sort of lubricant on the part of the rubber seal that sits on the sink or the countertop. Put the rubber seal onto the drain first and push it up as far as you can. After the rubber seal is in place, put the friction ring in place followed by the mounting nut. Hand-tighten the nut from under the counter. You can use pliers or similar tool to finish tightening the mounting nut onto the sink but be very careful to not over tighten as this can damage the vessel sink.

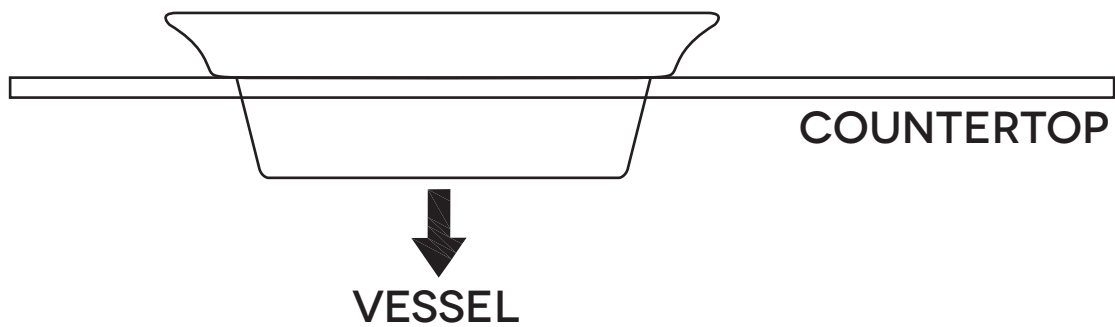
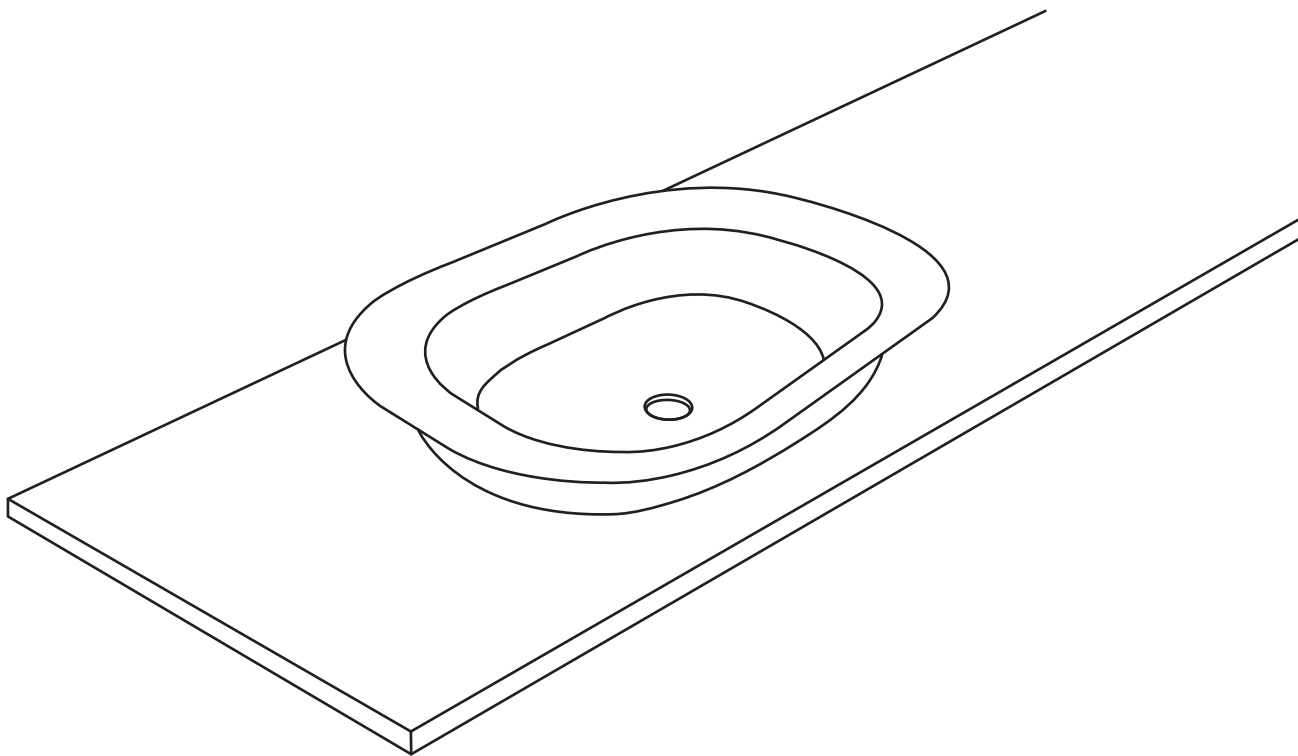
4. Note: Silicone should be used to attach and secure the vessel to the counter.

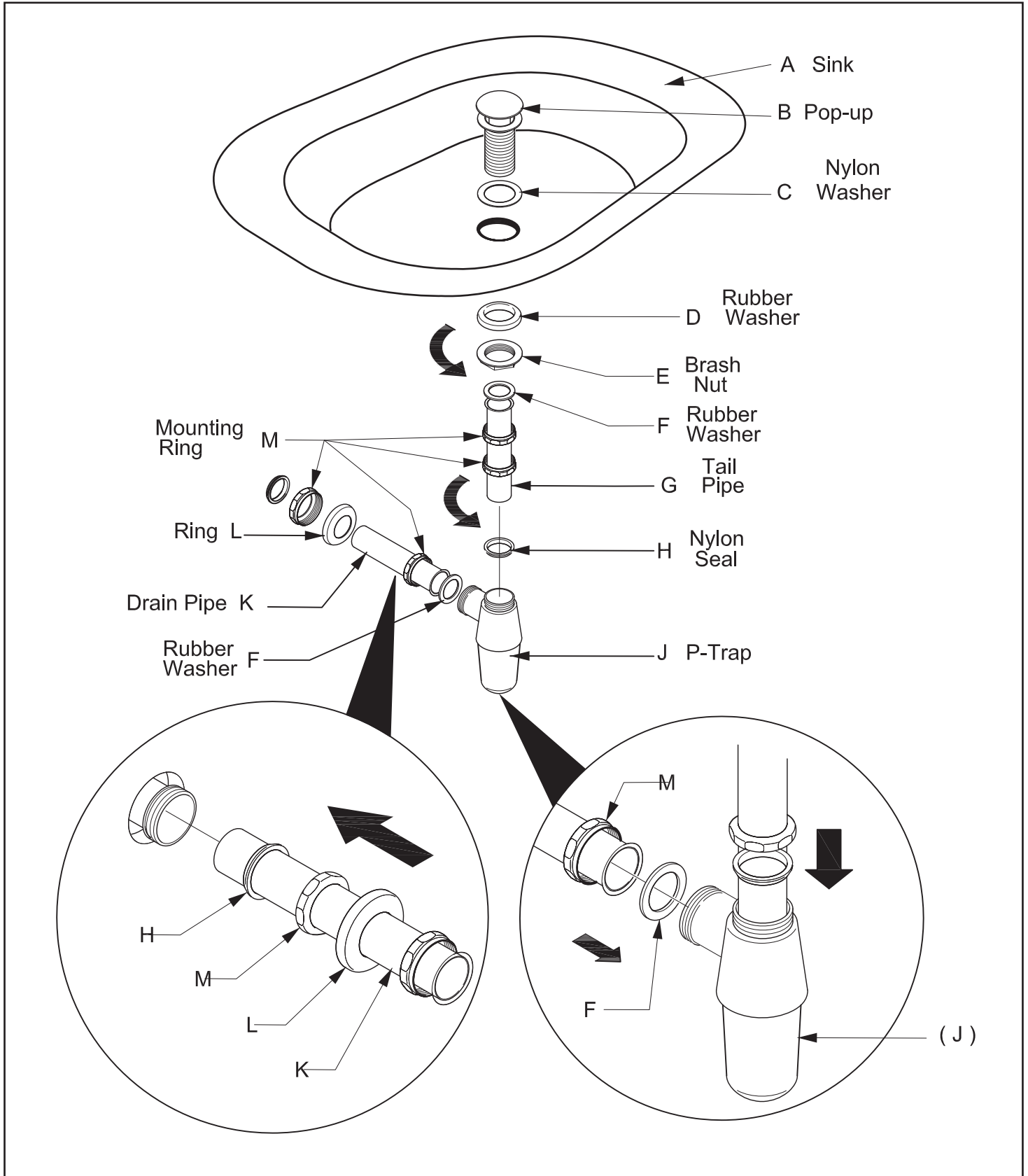
Connect the drain trap: Now that the vessel sink drain is installed up you can connect the trap to the drain. The 1 1/4" drain coming from the vessel sink should fit onto a 1 1/2" trap like any other drain trap installation. This is done using a reducing washer to go from 1 1/2" to 1 1/4".

Test for leaks: After all connections are made to test the drain thoroughly for leaks. First, run water into the sink and check for leaks under the sink. If there are no leaks under normal running conditions, fill the sink all the way up, so you give it a good volume test.









**RETAIN THIS ISNSTALLATION MANUAL
FOR FUTURE REFERENCE.**

THANK YOU FOR CHOOSING FINE FIXTURES.